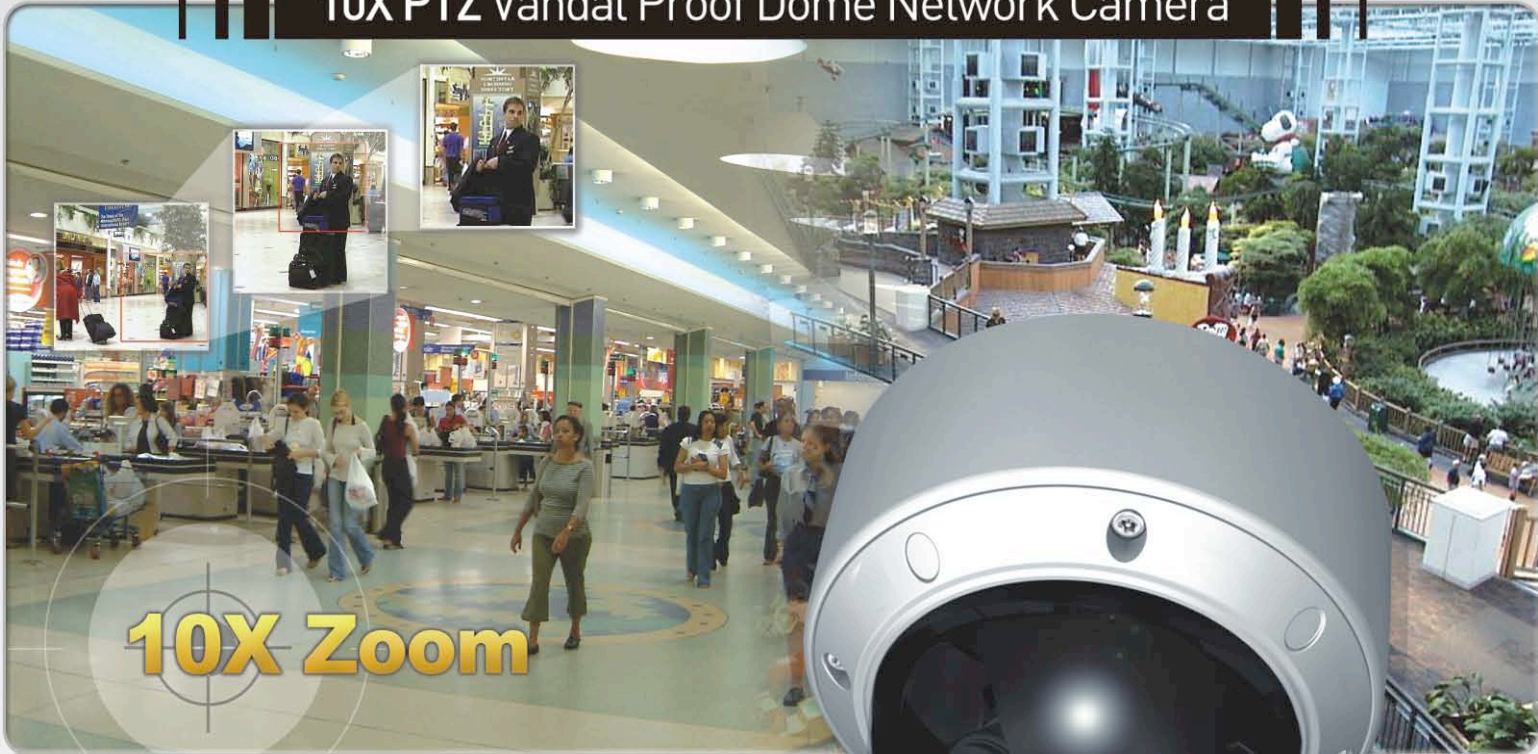


# MiniTrax Dome Network Camera

## 10X PTZ Vandal Proof Dome Network Camera



### Professional Network Camera 10X PTZ Vandal Proof Dome Camera Indoor or Outdoor

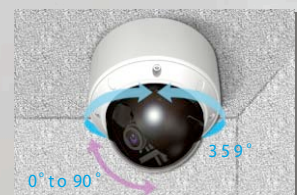
- Full frame rate up to D1 (25fps@720x576, 30fps@720x480) resolution
- Compatible with MPEG4 standard
- Remotely Controllable Intelligent Pan/Tilt/Zoom Camera System
- 100X zoom capability (10X Optical / 10X Digital)
- Combines Superior imaging with a Vandal-proof housing
- Pan : 0 ~ 359, Tilt : 0 ~ 90
- Pan/Tilt Speed (Pan : 120/sec, Tilt : 120/sec)
- Rugged, Compact Specially Designed for installable anywhere (Indoor / Outdoor)
- Built-in network interface (10Base-T/100Base-TX) for remotemonitoring by PC
- Interface protocol : TCP/IP, HTTP, UDP, DHCP, RTP, RTSP, SMTP, DDNS
- Sophisticated motion detection
- Supports pre & post alarm record in client PC
- Notify events via e-mail & SMS
- Quick & Easy set up with user friendly GUI



Presets  
Up to 60 preset positions  
(with different settings for pan, tilt, zoom and focus)



Remote Control  
Remote controllable intelligent  
Pan/Tilt/Zoom camera system



Variable pan and tilt  
Panover 359° in the horizontal plane  
and 0° to 90° of tilt in the vertical

# MiniTrax Dome Network Camera

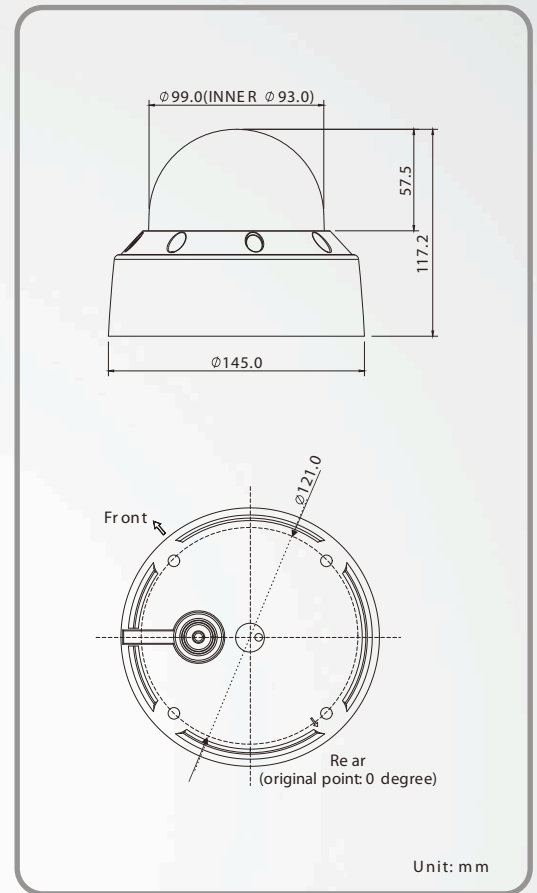


## Specifications

MODEL	NTSC	PAL		
Scanning System	2:1 Interlace			
Scanning Frequency (H/V)	15.734 KHz / 59.94 Hz	15.625 KHz / 50 Hz		
Image sensor	1/4" Sony Super-HAD Color CCD			
Effective Pixels No	768(H) x 494(V)	752(H) x 582(V)		
Minimum illumination	1.5 lux			
Video output level	1.0 Vp-p (75 ohms, composite)			
S/N ratio	48dB			
LENS	10X Zoom (Video AF), 3.15 mm ~ 31.5 mm			
Zoom Ratio	10X Optical, 10X Digital			
Sync System	Internal			
Camera Control	RS 485			
N E T W O R K	Display resolutions	D1 (PAL: 720 x 576, NTSC: 720 x 480), 640x480, 320x240, 160x120		
	Maximum frame rate	25 fps @ 720 x 576, 30 fps @ 720 x 480		
	Video compression format	MPEG-4 Part2 (ISO/IEC 14496-2), Profile: SP and ASP		
	Audio compression format, I/O terminal	G.726 (ADPCM), Full duplex, 16/8 kbps, 3.5mm Mic in x1 and speaker out x1		
	Alarm and event management	Built-in motion detection, Adjustable sensitivity and dwelling time, E-mailing		
	Protocols	TCP/IP, UDP, HTTP, RTP, RTSP, DHCP, SMTP, DDNS		
	Ethernet	10Base-T/100Base-T (RJ-45)		
	Pre/Post event	Max. 180sec		
	Image setting	Color, Brightness, Contrast		
	Event recording / E-mail notification			
	Remote upgrade / Time/Event search			
	Remote set-up/viewer / Access level	Yes		
	Multicasting capability			
	Bandwidth control			
	Alarm/Event/Time searching			
	Minimum Operation System	Microsoft Windows 2000/XP, Intel Pentium III 500MHz or higher, 256MB or more		
	Web browser	Microsoft Internet Explorer version 6.0		
	F U N C T I O N	Focus Mode	Auto / Manual	
		Auto Exposure	Auto/Shutter PRI / Iris PRI / Manual	
White Balance		Auto/Indoor/Outdoor/Manual		
Iris Control		Auto/Manual (F 1.6 ~ F3.2)		
Gain Control		AGC On / Off (30dB max.)		
Shutter Speed		Normal ~ 1/10,000		
Back Light		On/Off		
Title		Title Display		
Display		On / Off		
Panning		0° ~ 359°		
Tilting		0° ~ 90°		
Panning Speed		Max. 120 /sec		
Tilting Speed		Max. 120 /sec		
Scanning Speed		7° / sec		
Preset		60 Position		
Preset Accuracy		±1°		
Tour		Course (1 ~ 4 x 16 Preset)		
Auto Scanning		Course (1 ~ 4)		
Alarm		DEFAULT / SA VE / E ND / NC / NO / OFF		
Alarm State	Momentary / Time Out			
Dome ID	63 ID			
Environmental Condition	Operation Temperature	-10 °C ~ 35 °C		
	Operation Humidity	0% ~ 96%		
	Storage Temperature	-20 °C ~ 60 °C		
Power requirement	DC 12V			
Power consumption	10W			
Dimensions (Diameter x Height)	φ145.0mm x 117.2mm (Bubble diameter φ99.0mm)			
Weight	1.3 kg			
Housing	Water & Weather proof housing is heavy duty die-cast aluminum			
Weatherproof IP66	Indoor / Outdoor, Wall or Ceiling			
Option	Wall or Ceiling Mount Bracket			

\* Specifications are subject to change without notice \*

## Dimensional Drawing



## Optional Accessory

