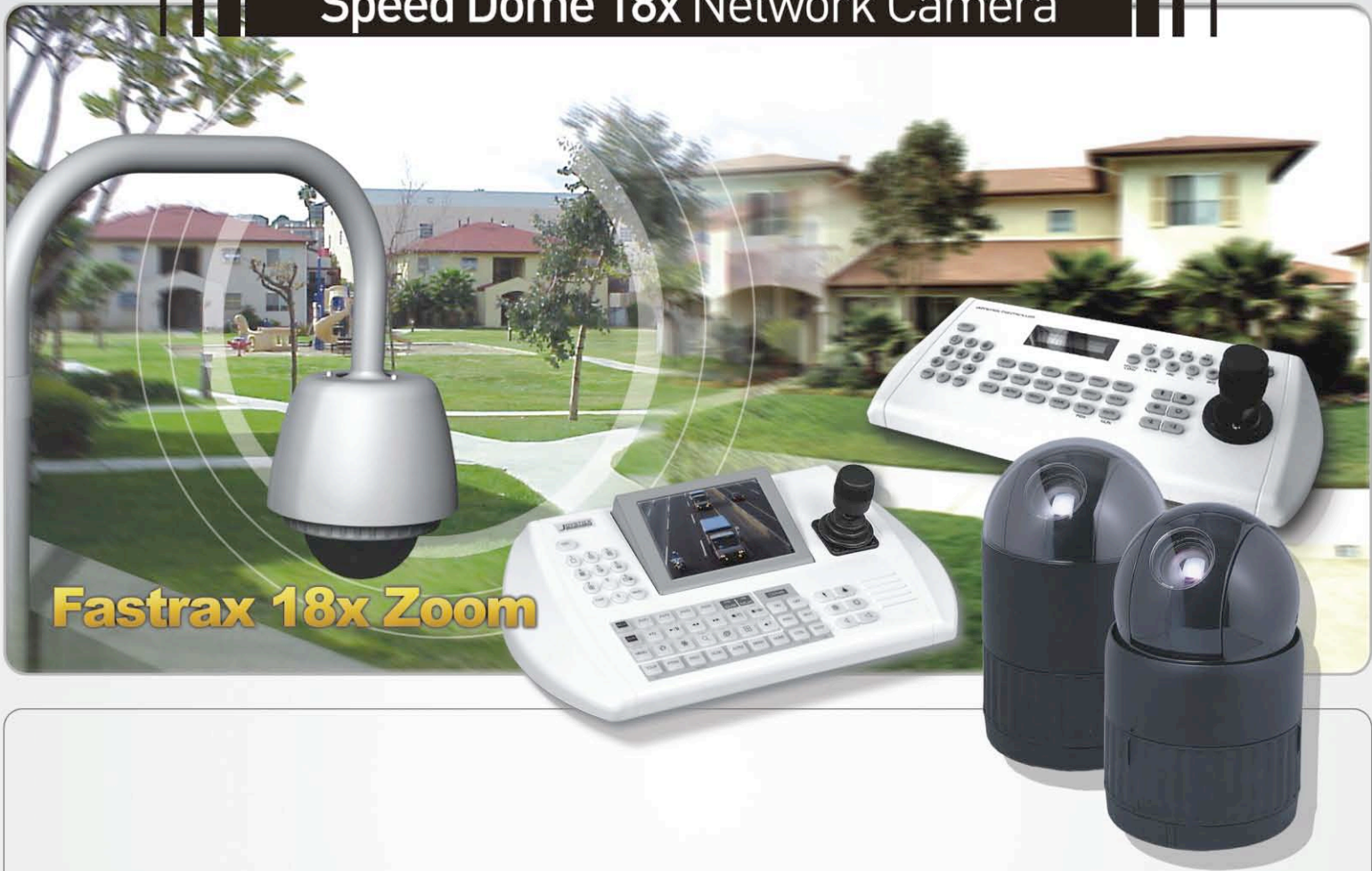


Fastrax Dome System

Speed Dome 18x Network Camera



Fastrax 18x Zoom

Professional Network Camera 18X Optical Zoom Fastrax Dome System

- Full frame rate up to D1 (25fps@720x576, 30fps@720x480) resolution
- Compatible with MPEG4 standard
- Up to 240 programmable preset positions
- Optional Manual/Auto Night shot and slow shutter function enhances
- Diagonal Scanning (Vector Scanning)
- Built-in network interface (10Base-T/100Base-TX) for remote monitoring by PC
- Interface protocol : TCP/IP, HTTP, UDP, DHCP, RTP, RTSP, SMTP, DDNS
- Optional Indoor/Outdoor Pendant mount, flush mount, parapet mount and roof top mount
- Auto focus/Iris with Manual Override
- Quick Detachable (Hot Swap)
- Data Up/Down load (Preset, Tour, Etc..)
- Easy DVR and multiplexer remote control
- Offset (Recalibration) of Preset Angle
- 8 Privacy Zone
- 5" Color LCD keyboard

- DAY & NIGHT MODE



- 18X OPTICAL ZOOM, 12X DIGITAL ZOOM



SYSCOM

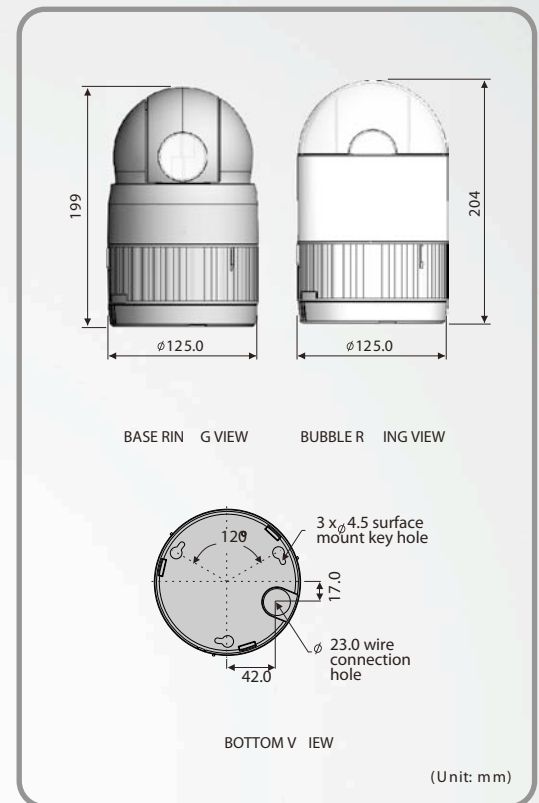


Specifications

MODULE	
CC D Type	1/4", SO NY SuperHADCCD
Optical / Digital Zoom	18X / 1.2X
Resolution (NTSC / PAL)	480 TV lines (Color), 530 TV lines (B/W)
Focal length	f = 4.1 mm ~ 74.8mm
Min. Illumination	
- Color	0.7 Lux
- B/W	0.05 Lux
- Low-shutter	0.01 Lux
Image Stabilizer	NO
WDR	NO
ICR on	YES
Angle of View	4.1 mm : 4.8° 73.8mm : 2.7°
NETWORK	
Display resolutions	D1 (PAL: 720 x 576, NTSC: 720 x 480), 640x480, 320x240, 160x120
Maximum frame rate	25 fps@ 720 x 576, 30 fps@ 720 x 480
Video compression format	MPEG-4 Part2 (ISO/IEC 14496-2), Profile: SP and ASP
Audio compression format, I/O terminal	G.726 (ADPCM), Full duplex, 16/8 kbps, 3.5mm Mic in x1 and speaker out x1
External alarm I/O terminal	Alarm in x2, Alarm out x1
Alarm and event management	Built-in motion detection, Adjustable sensitivity and dwelling time, Emailing
Protocols	TCP/IP, UDP, HTTP, RTP, RTSP, DHCP, SMTP, DDNS
Ethernet	10Base-T/100Base-T (RJ-45)
Pre/Post event	Max. 180sec
Image setting	Color, Brightness, Contrast
Event recording / Email notification	
Remote upgrade / Time/Event search	
Remote set-up/viewer / Access level	
Multicasting capability	Yes
Bandwidth control	
Alarm/Event/Time searching	
Minimum Operation System	Microsoft Windows 2000/XP, Intel Pentium III 500MHz or higher, 256MB or more
Web browser	Microsoft Internet Explorer version 6.0
DOME	
Panning angle (Optional)	360° continuous rotation
Alarm (Optional)	8 inputs (NC/NO), 4 relay outputs
Tilt angle	-10° ~ 90°
Auto Scan	1 auto pan & 8 auto scan capability
Pre set	240 presets with individual dwell time
Pattern	4 patterns (recording up to 240 sec)
Tour	8 tours (consist of 32 functions/1tour)
Max Speed	380%/sec
Area Title	it can be divided 16 areas with 16 characters of title
Privacy Zone	8 privacy zone masking (2 methods selectable: mark / video off)

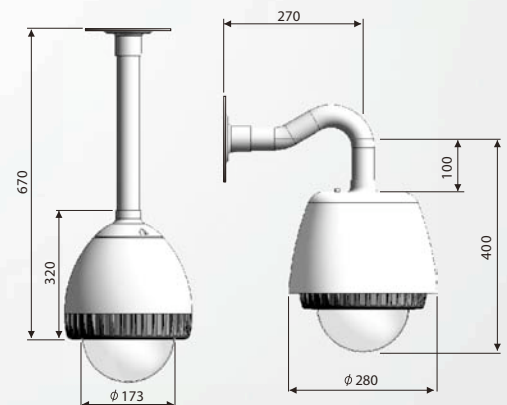
* Specifications are subject to change without notice *

Dimensional Drawing

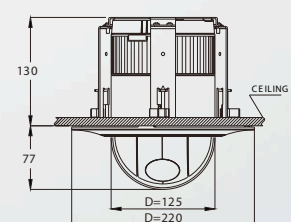


MOUNT OPTIONS

• INDOOR/OUTDOOR HOUSING



• CEILING MOUNT



(Unit: mm)