



10X Zoom
Maximum 100X Zoom



Optical
Zoom
10x

Digital
Zoom
10x

MiniTrax Dome Camera

10X PTZ Vandal Proof Dome Camera



► **Presets**
up to 60 preset positions (with different settings for pan, tilt, zoom and focus)



► **Remote Control**
remote controllable intelligent Pan/Tilt/Zoom camera system



► **Variable pan and tilt**
pan over 359° in the horizontal plane and 0° to 90° of tilt in the vertical

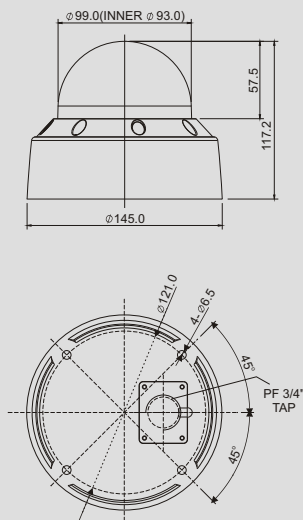
- Remotely Controllable Intelligent Pan/Tilt/Zoom Camera System
- 1/4" Sony Super HAD CCD image sensor
- 100X zoom capability (10X Optical / 10X Digital)
- Combines Superior imaging with a Vandal-proof housing
- DVR and Multiplexer remote control via RS485
- Pan : 0 ° ~ 359 ° , Tilt : 0 ° ~ 90 °
- Pan/Tilt Speed (Pan : 120 °/sec, Tilt : 120 °/sec)
- Up to 60 Programmable Preset Position
- Up to 64 Programmable ID
- Rugged, Compact Specially Designed for installable anywhere (Indoor / Outdoor)
- Dual Power operation DC12V / AC24V



MODEL		NTSC(HCV-651PZ0S4)	PAL(HCV-851PZ0S4)
Scanning System		2:1 Interlace	
Scanning Frequency(H/V)		15.734 KHz / 59.94 Hz	15.625 KHz / 50 Hz
Image sensor		1/4" Sony Super-HAD Color CCD	
Effective Pixels No		768(H) x 494(V)	752(H) x 582(V)
Resolution		430TV lines	
Minimum illumination		1.5 lux	
Video output level		1.0Vp-p (75ohms ,composite)	
S/N ratio		48dB	
LENS		10X Zoom(Video AF), 3.15mm~31.5mm	
Zoom Ratio		10X Optical , 10X Digital	
Sync System		Internal / External (Line Lock Auto Switching)	
Camera Control		RS485	
	Focus Mode	Auto / Manual	
	Auto Exposure	Auto/ Shutter PRI/ Iris PRI/ Manual	
	White Balance	Auto/Indoor/Outdoor/Manual	
	Iris Control	Auto/Manual(F1.6 ~ F32)	
F	Gain Control	AGC On / Off(30dB max.)	
	Shutter Speed	Normal ~ 1/10,000	
U	Back Light	On/Off	
	Sharpness	0 ~ 15 steps	
N	Brightness	0 ~ 90 steps	
	Title	Title Display	
C	Display	On /Off	
	Picture	Mirror, Sharpness	
T	Panning	0° ~ 359°	
	Tilting	0° ~ 90°	
I	Panning Speed	Max. 120 /sec	
	Tilting Speed	Max.120 /sec	
O	Scanning Speed	7°/ sec	
	Preset	60 Position	
N	Preset Accuracy	±0.1°	
	Tour	Course(1~4 x 16 Preset)	
	Auto Scanning	Course(1~4)	
	Alarm	NC / NO / OFF	
	Alarm State	Momentary / Time Out	
	Dome ID	64 ID	
Environmental Condition	Operation Temperature	-10°C~ 50°C	
	Operation Humidity	0% ~ 96%	
	Storage Temperature	-20°C~ 60°C	
Power requirement		DC12V / AC24V (Dual Power)	
Power consumption		8.5W	
Dimensions (Diameter x Height)		ø145.0mm x 117.2mm (Bubble diameter ø99.0mm)	
Weight		1.3kg	
Housing		Water & Weather proof housing is heavy duty die-cast aluminum	
Weatherproof IP66		Indoor / Outdoor, Wall or Ceiling	
Option		Wall or Ceiling Mount Bracket	

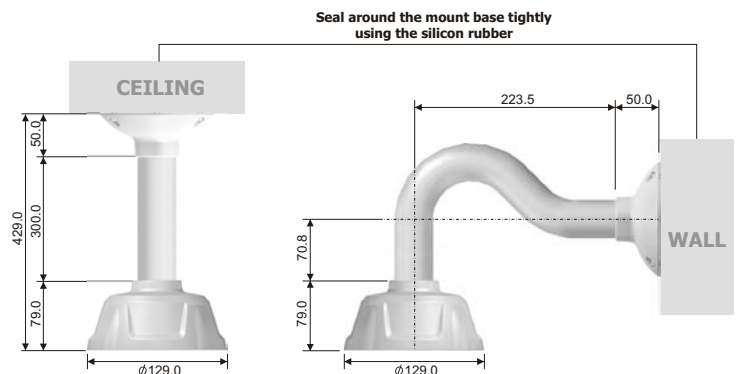
* Specifications subject to change without notice *

Dimension



Unit : mm

Optional Accessory



Optional Products



Fastrax Dome Camera

Keyboard Controller

DVR